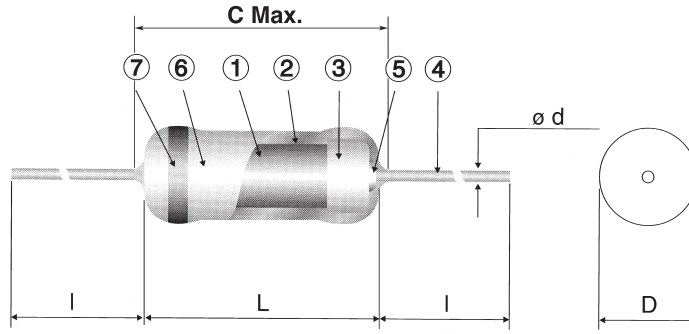


## ZERO OHM COAT INSULATED Z



### STRUCTURE

- 1 Ceramic core
- 2 Conductive film
- 3 Steel cap (Cu, Sn plated)
- 4 Lead wire
- 5 Welding joint
- 6 Epoxy overcoating
- 7 Marking

### IDENTIFICATION

PRODUCT CODE	COATING COLOR	MARKING
Z 16	Ivory	One black band
Z 25	Venetian Red	One black band

All these products have Pb-free terminations and meet EU-RoHS and China-RoHS requirements

### TYPE DESIGNATION (HOW TO ORDER)

Z16	C	T26	A
PRODUCT CODE Z16 Z25	TERMINATION SURFACE MATERIAL C: SnCu	TAPING & FORMING *Please see "PACKAGING"	PACKAGING A: Ammo R: Reel

\* Contact us when you have control request for environmental hazardous material other than the substance specified by EU-RoHS

### FEATURES

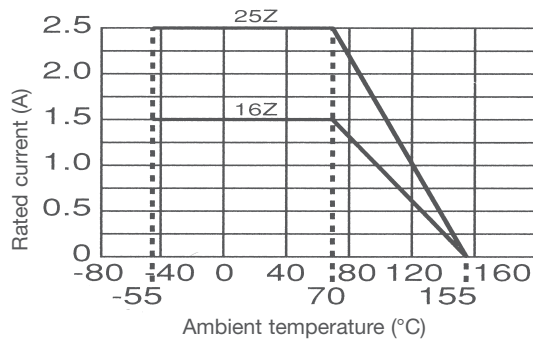
- Zero Ohm resistors in the identical shape of the CFS1/4 and the CF1/4 series
- Automatic insertion is applicable
- Rated ambient temperature: +70°C
- Operating temperature range: -55°C... +155°C

### DIMENSIONS (mm)

TYPE	L	C Max.	ø D	ø d (nom.)	I**	
					Standard	Short
Z 16 C	3.2 ± 0.2	3.4	1.7 +0.2 / -0.1	0.45	20 Min.	14 Min.*
Z 25 C	6.1 ± 0.5	7.1	2.3 ± 0.3	0.6		

\* Forming code S is applied for bulk type  
\*\* Lead length changes depending on taping and forming type

### DERATING CURVE



### RATING

DIN SIZE	TYPE	MAX. ALLOWABLE CURRENT*	DIELECTRIC WITHSTANDING VOLTAGE	RESISTANCE
0204	Z 16 C	1.5 A	300 V	Less than 20mΩ
0207	Z 25 C	2.5 A	500 V	

\* For resistors operated in ambient temperature over +70°C, power rating shall be derated like shown in above "DERATING CURVE".

Contact our sales representatives before you use our products for applications including automobiles, medical equipment and aerospace equipment. Malfunction or failure of the products in such applications may cause loss of human life or serious damage.

Specifications given herein may be changed at any time without prior notice. Please confirm technical specifications before you order or use.