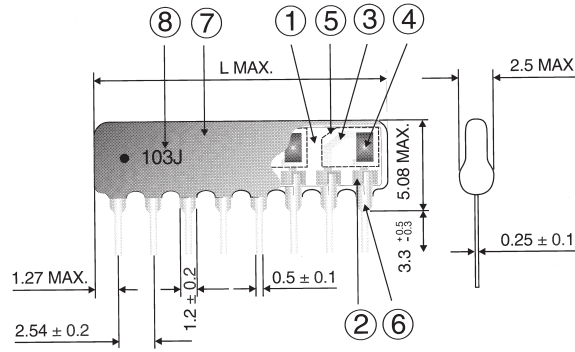
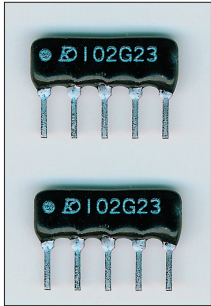


**THICK FILM
R-NETWORKS
LOW PROFILE SIP
RKL**



STRUCTURE

- 1 Ceramic substrate
- 2 Pin connection
- 3 Printed conductor (Ag, Pd)
- 4 Resistive layer
- 5 Glass layer
- 6 Solder plated copper term.
- 7 Epoxy powder overcoating
- 8 Marking

IDENTIFICATION

PRODUCT CODE	COATING COLOR	MARKING
RKL	Black	Alpha Numeric (R-value and tolerance)

Products with Pb-free terminations meet EU-RoHS requirements

TYPE DESIGNATION (HOW TO ORDER)

	RKL	8	C	D	TPA*	101	J	
Circuit: A, B, C, D, S	PRODUCT CODE	NUMBER OF RESISTORS	CIRCUIT SYMBOL A, B, C, D, S	TERMINATION SURFACE MATERIAL (L: Sn/Pb) D: SnAgCu	TAPING & STICK	NOMINAL RESISTANCE G, J: 3 digits F: 4 digits	RESISTANCE TOLERANCE J, G, F	Contact us when you have control request for environmental hazardous material other than the substance specified by EU-RoHS
Circuit: T, E, R	PRODUCT CODE	NUMBER OF RESISTORS	CIRCUIT SYMBOL T, E, R	TERMINATION SURFACE MATERIAL (L: Sn/Pb) D: SnAgCu	TAPING & STICK	NOMINAL RESISTANCE R1/R2 3(4) digits/ 3(4) digits	RESISTANCE TOLERANCE J, G, F	

FEATURES

- SIP resistor low profile network
- **5.8 mm height (low profile type)**
- Various types of standard circuits
- Customer specific networks with smaller pitch (2.0 mm) are on request available
- Taped parts for automatic insertion are available
- Rated ambient temperature: +70°C
- Operating temperature range: -55°C ... +125°C

DIMENSIONS and PACKAGE POWER RATING

Number of Pins	3	4	5	6	7	8	9	10	11	12
L Dimensions Max. (mm)	8.20	10.16	12.70	15.24	17.78	20.32	22.86	25.40	27.94	30.48
Wattage/Package Max. (mW)	250	375	500	625	750	875	1000	1050	1150	1250

CIRCUIT CONSTRUCTION

CIRCUIT SYMBOL	B	S	C	D
NUMBER OF PINS	3 ~ 12	4 ~ 12	5 ~ 11	5 ~ 12
CIRCUIT CONSTRUCTION				
EXAMPLE OF TYPE DESIGNATION	RKL 8 B 472 J	RKL 4 S 472 J	RKL 8 C 472 J	RKL 8 D 472 J
CIRCUIT SYMBOL	A	T	E	R
NUMBER OF PINS	3 ~ 12	5 ~ 11	5 ~ 11	4 ~ 11
CIRCUIT CONSTRUCTION				
EXAMPLE OF TYPE DESIGNATION	RKL 8 A 472 J	RKL 8 T 103/103 J	RKL 8 E 103/103 J	RKL 16 R 331/471 J

RATING

CIRCUIT SYMBOL	T.C.R. (ppm/K)	POWER RATING PER ELEMENT*	MAX. WORKING VOLTAGE	RESISTANCE RANGE E24	RESISTANCE TOLERANCE
B, C, D, T, A, E	± 200	125 mW	100 V	22Ω ... 1MΩ	F (± 1%), G (± 2%)
S		200 mW			J (± 5%)
R		125 mW			G (± 2%), J (± 5%)

* Please ensure that rated power per package is not exceeded.
Rated voltage = √ Power rating x resistance value or max. working voltage, whichever is lower.

Contact our sales representatives before you use our products for applications including automobiles, medical equipment and aerospace equipment. Malfunction or failure of the products in such applications may cause loss of human life or serious damage.

Specifications given herein may be changed at any time without prior notice. Please confirm technical specifications before you order or use.