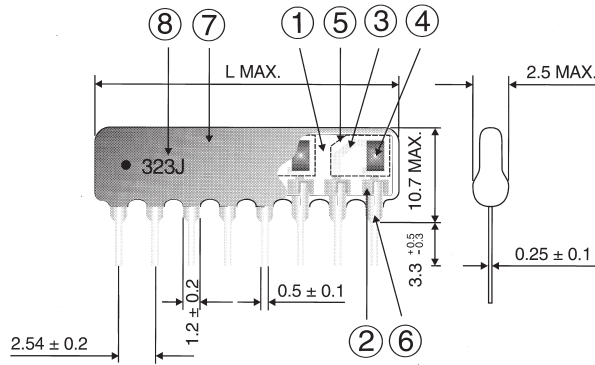
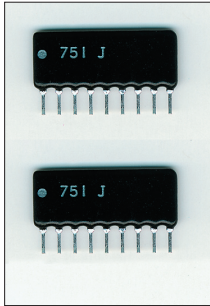


THICK FILM R-NETWORKS HIGH POWER SIP RKH



STRUCTURE

- 1 Ceramic substrate
- 2 Pin connection
- 3 Printed conductor (Ag, Pd)
- 4 Resistive layer
- 5 Glass layer
- 6 Solder plated copper term.
- 7 Epoxy powder overcoating
- 8 Marking

IDENTIFICATION

PRODUCT CODE	COATING COLOR	MARKING
RKH	Black	Alpha Numeric (R-value and tolerance)

Products with Pb-free terminations meet EU-RoHS requirements

TYPE DESIGNATION (HOW TO ORDER)

	RKH	8	C	D	TPA	472	J
Circuit: A,B,C,D,S	PRODUCT CODE	NUMBER OF RESISTORS	CIRCUIT SYMBOL A, B, C, D, S	TERMINATION SURFACE MATERIAL (L: Sn/Pb) D: SnAgCu	TAPING & STICK	NOMINAL RESISTANCE J, G: 3 digits F: 4 digits	RESISTANCE TOLERANCE J, G, F
Circuit: T, E, R	PRODUCT CODE	NUMBER OF RESISTORS	CIRCUIT SYMBOL T, E, R	TERMINATION SURFACE MATERIAL (L: Sn/Pb) D: SnAgCu	TAPING & STICK <small>*Please see "PACKAGING"</small>	NOMINAL RESISTANCE R1/R2 3(4) digits/ 3(4) digits	RESISTANCE TOLERANCE J, G, F

Contact us when you have control request for environmental hazardous material other than the substance specified by EU-RoHS

FEATURES

- SIP resistor high profile network
- 10.7 mm height (high power type)
- Various types of standard circuits
- Taped parts for automatic insertion are available
- Rated ambient temperature: +70°C
- Operating temperature range: -55°C... +155°C

DIMENSIONS and PACKAGE POWER RATING

Number of Pins	4	5	6	7	8	9	10	11	12	13
L Dimensions Max. (mm)	10.8	13.3	15.8	18.3	20.9	23.4	25.9	28.5	31.0	33.6
Wattage/Package Max. (mW)	525	700	875	1050	1250	1400	1500	1600	1700	1800

CIRCUIT CONSTRUCTIONS

CIRCUIT SYMBOL	B	S	C	D
NUMBER OF PINS	4 ~ 13	4 ~ 12	5 ~ 13	5 ~ 12
CIRCUIT CONSTRUCTION				
EXAMPLE OF TYPE DESIGNATION	RKH 8B 332 J	RKH 4S 332 J	RKH 8C 332 J	RKH 8D 332 J
CIRCUIT SYMBOL	A	T	E	R
NUMBER OF PINS	4 ~ 12	5 ~ 13	5 ~ 13	5 ~ 11
CIRCUIT CONSTRUCTION				
EXAMPLE OF TYPE DESIGNATION	RKH 8A 332 J	RKH 8T 103/103 J	RKH 8E 103/103 J	RKH 16R 331 / 471 J

RATING

CIRCUIT SYMBOL	T.C.R. (ppm/K)	POWER RATING PER ELEMENT*	MAX. WORKING VOLTAGE	RESISTANCE RANGE E24	RESISTANCE TOLERANCE
B, C, D, T, A, E		250 mW	250 V	56Ω ... 2.2MΩ	F (± 1%), G (± 2%)
S	± 200	500 mW			J (± 5%)
R		250 mW			G (± 2%), J (± 5%)

* Please ensure that rated power per package is not exceeded.
Rated voltage = $\sqrt{\text{Power rating} \times \text{resistance value}}$ or max. working voltage, whichever is lower.

Contact our sales representatives before you use our products for applications including automobiles, medical equipment and aerospace equipment. Malfunction or failure of the products in such applications may cause loss of human life or serious damage.

Specifications given herein may be changed at any time without prior notice. Please confirm technical specifications before you order or use.

NETWORKS (PASSIVE COMPONENTS)