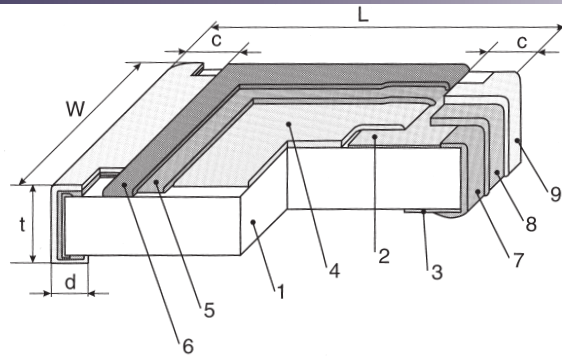
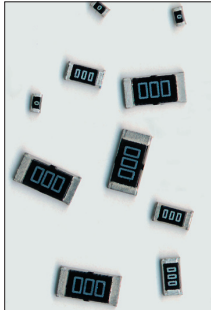


FLAT CHIP ZERO OHM JUMPER RK73Z • RK73Z RT



STRUCTURE

- 1 Ceramic substrate
- 2 Top termination
- 3 Bottom termination
- 4 Silver element
- 5 Glass layer
- 6 Protective layer
Epoxy: 1F...2B
Glass: 2E...W3A
- 7 End termination
- 8 Diffusion barrier (Ni)
- 9 Solder plating

IDENTIFICATION

TYPE	COATING COLOR	MARKING
RK73Z 1F	Black	None
RK73Z 1H, RK73Z 1E	Green	
RK73Z 1J		White ("0")
RK73Z 2A ... RK73Z W3A	Black	White ("000")

Products with Pb-free terminations meet EU-RoHS requirements

TYPE DESIGNATION (HOW TO ORDER)

RK73Z	1J	T	TD
PRODUCT CODE	STYLE 1F...W3A	TERMINATION SURFACE MATERIAL T: Sn RT: Sn (L: Sn/Pb) (G: Au)	TAPING* TB, TA, TC TP, TD, TE, BK *Please see "PACKAGING"

Contact us when you have control request for environmental hazardous material other than the substance specified by EU-RoHS

FEATURES

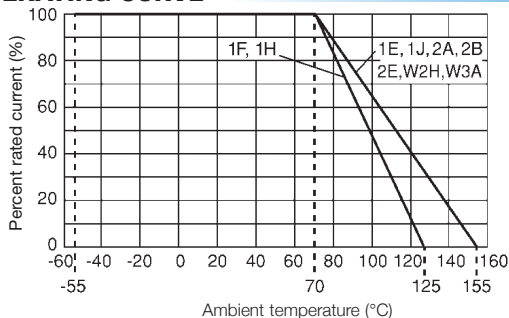
- Silver element
- Anti-leaching nickel barrier terminations
- Excellent heat resistance and moisture resistance are ensured by the use of glaze thick film
- High stability and high reliability because of the triple-layer structure of electrode
- Also available with gold plated electrodes in size 1E, 1J and 2A (please consult KOA)
- Parts are tested according to AEC-Q200 requirements in sizes 0402 ... 2512
- Meets or exceeds IEC 60 115-8, JIS C 5201-8, EIAJ RC-2134B
- Suitable for reflow and wave soldering
- **RK73Z RT:**
Excellent anti-sulfuration characteristic due to using high sulfuration-proof inner top electrode (not available in size 0201)

DIMENSIONS (mm)

SIZE	TYPE	L	W	c	d	t
01005	RK73Z 1F	0.4 ± 0.02	0.2 ± 0.02	0.1 ± 0.03	0.11 ± 0.03	0.13 ± 0.02
0201	RK73Z 1H	0.6 ± 0.03	0.3 ± 0.03	0.1 ± 0.05	0.15 ± 0.05	0.23 ± 0.03
0402	RK73Z 1E	1.0 +0.1 -0.05	0.5 ± 0.05	0.2 ± 0.1	0.25 +0.05 -0.1	0.35 ± 0.05
0603	RK73Z 1J	1.6 ± 0.2	0.8 ± 0.1	0.3 ± 0.1	0.3 ± 0.1	0.45 ± 0.1
0805	RK73Z 2A	2.0 ± 0.2	1.25 ± 0.1	0.4 ± 0.2	0.3 +0.2 -0.1	0.5 ± 0.1
1206	RK73Z 2B	3.2 ± 0.2	1.6 ± 0.2	0.5 ± 0.3	0.4 +0.2 -0.1	0.6 ± 0.1
1210	RK73Z 2E	3.2 ± 0.2	2.6 ± 0.2			
2010	RK73Z W2H*	5.0 ± 0.2	2.5 ± 0.2			
2512	RK73Z W3A*	6.3 ± 0.2	3.1 ± 0.2		0.65 ± 0.15*	

* RK73Z 2H and RK73Z 3A are also still available (different "d" dimensions = 0.4 ± 0.1 mm)

DERATING CURVE



RATING

SIZE	TYPE	CURRENT* RATING	MAX. SURGE CURRENT**	RATED AMBIENT TEMPERATURE	MAX. RESISTANCE VALUE	OPERATING TEMPERATURE RANGE
01005	RK73Z 1F	0.5 A	1 A	+ 70° C	50 mΩ	- 55° C ... + 125° C
0201	RK73Z 1H					
0402	RK73Z 1E					
0603	RK73Z 1J	1 A	2 A			
0805	RK73Z 2A					
1206	RK73Z 2B	2 A	10 A			- 55° C ... + 155° C
1210	RK73Z 2E					
2010	RK73Z W2H					
2512	RK73Z W3A					

* For parts operated at an ambient temperature of +70°C or above, the current rating shall be derated as shown in above "DERATING CURVE".

** Pulse duration < 1s "RT-type" is only available in sizes 0402 ... 2512.

Contact our sales representatives before you use our products for applications including automobiles, medical equipment and aerospace equipment. Malfunction or failure of the products in such applications may cause loss of human life or serious damage.

Specifications given herein may be changed at any time without prior notice. Please confirm technical specifications before you order or use.