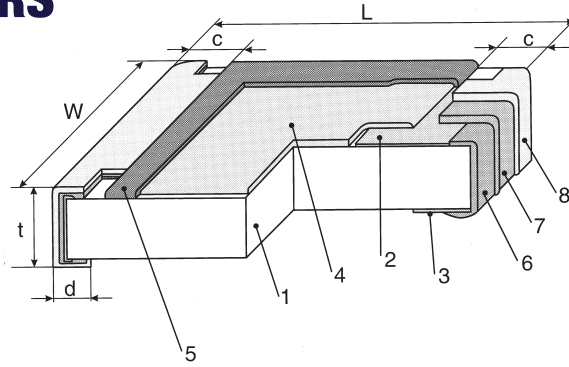
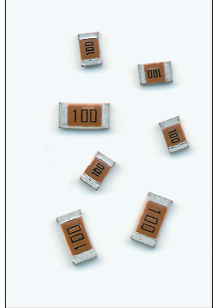


CIRCUIT PROTECTORS
FUSIBLE FLAT CHIP
RESISTORS
RF73



STRUCTURE

- 1 Ceramic substrate
- 2 Top termination
- 3 Bottom termination
- 4 Fusible resistive film
- 5 Protective layer
- 6 End termination
- 7 Diffusion barrier (Ni)
- 8 Solder plating

IDENTIFICATION

PRODUCT CODE	COATING COLOR	MARKING
RF73	Brown	Black, 3 digits

Products with Pb-free terminations meet EU-RoHS requirements

TYPE DESIGNATION (HOW TO ORDER)

RF73	2A	T	TD	220	J
PRODUCT CODE	STYLE 1J...3A	TERMINATION SURFACE MATERIAL T: Sn (L: Sn/Pb)	TAPING* TD, TE, BK <small>*Please see "PACKAGING"</small>	NOMINAL RESISTANCE 3 digits	RESISTANCE TOLERANCE J: (±5%)

Contact us when you have control request for environmental hazardous material other than the substance specified by EU-RoHS

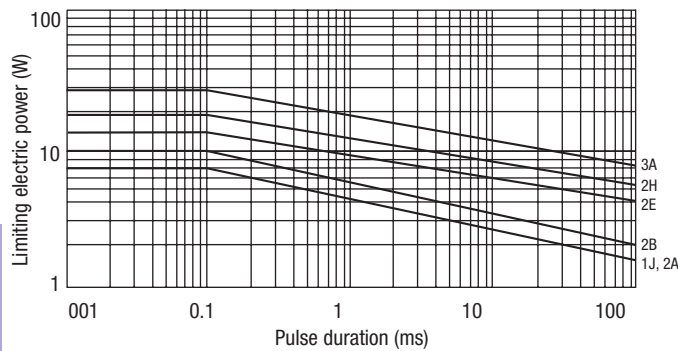
FEATURES

- Small and light with the same configuration as a flat chip resistor (RK73 series)
- Works as a resistor in normal operation
- Fuses quickly and protects circuits when excessive voltage is applied
- Anti-Leaching nickel barrier terminations
- Fusing time: max. 60 sec.
- Recognized by safety standard UL1412 File No.: E117262 (2A/0805...3A/2512)
- Meets or exceeds IEC 60115-8, JIS C 5201-8, EIAJ RC-2124
- Rated ambient temperature: +70° C
- Operating temperature range: -55° C ... +125° C
- Suitable for reflow and wave soldering

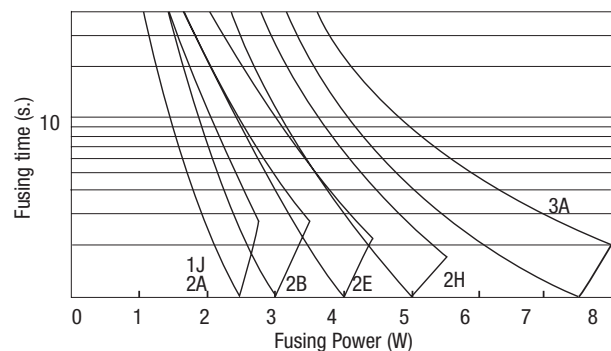
DIMENSIONS (mm)

TYPE	L ± 0.2	W	C	d	t ± 0.1
RF73 1J	1.6	0.8 ± 0.1	0.3 ± 0.1	0.3 ± 0.1	0.5
RF73 2A	2.0	1.25 ± 0.1	0.4 ± 0.2	0.3 ^{+0.2} / _{-0.1}	
RF73 2B	3.2	1.6 ± 0.2	0.5 ± 0.3	0.4 ^{+0.2} / _{-0.1}	0.6
RF73 2E		2.6 ± 0.2			
RF73 2H	5.0	2.5 ± 0.2			
RF73 3A	6.3	3.1 ± 0.2			

ONE PULSE LIMITING ELECTRIC POWER



EXAMPLE OF FUSING CHARACTERISTICS



RATING

SIZE	TYPE	POWER RATING*	T.C.R.	RESISTANCE RANGE (E24)	FUSING CHARACTERISTICS (FUSING POWER)			
					1 Ω	10 Ω	100 Ω	1000 Ω
0603	RF73 1J	0.063 W	see below**	1 Ω ... 100 Ω J(±5%)	2.6 W	2.4 W	2.1 W	-
0805	RF73 2A	0.1 W	+1000... -500 ppm/K	0.2 Ω ... 0.47 Ω	2.6 W	2.4 W	2.1 W	2.0 W
1206	RF73 2B	0.125 W	(0.2 Ω ... 4.3 Ω)	0.2 Ω	2.875 W	2.5 W	2.0 W	1.75 W
1210	RF73 2E	0.25 W	...	510 Ω	4.5 W	4.1 W	3.5 W	3.0 W
2010	RF73 2H	0.5 W	±500 ppm/K (4.7 Ω ... 510 Ω)	J(±5%)	5.5 W	5.0 W	4.0 W	3.5 W
2512	RF73 3A	1.0 W	6.5 W	6.0 W	5.0 W	4.0 W

*For resistors operated at an ambient temperature of +70°C or above, the power rating shall be derated.

**T.C.R. +1000 ... -500ppm/K (1 Ω ... 3.3 Ω), T.C.R. ±500ppm/K (3.6 Ω ... 100 Ω)

Rated voltage = √ Power rating x resistance value or max. working voltage, whichever is lower.

Please contact KOA for special precautions before you order and use this series.

Contact our sales representatives before you use our products for applications including automobiles, medical equipment and aerospace equipment. Malfunction or failure of the products in such applications may cause loss of human life or serious damage.

Specifications given herein may be changed at any time without prior notice. Please confirm technical specifications before you order/use.