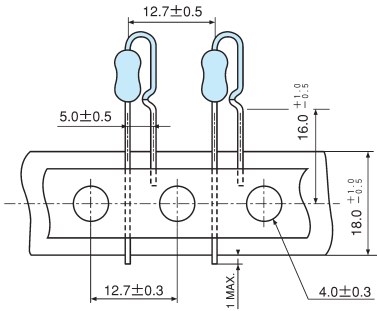
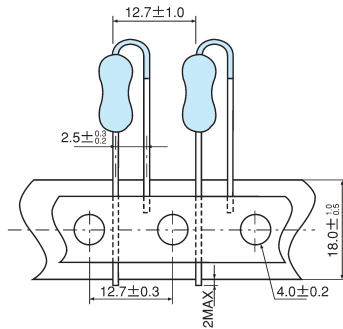


RADIAL TAPING, STANDARD • DIMENSIONS (mm)

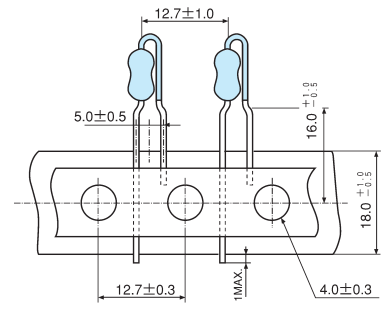
VT



VT



VTE

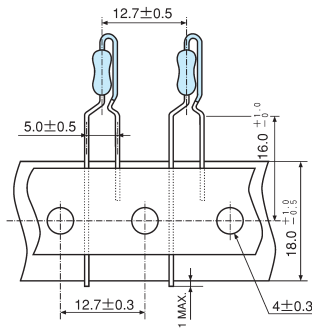


Radial Type Name	Radial Lead ϕ d	AMMO (pcs)	Reel (pcs)	Weight g/AMMO
MFS1/2 CVT	0.6	2000	2500	750
MF1/4 CVT	0.6	2000	2500	750
RNS1/8 CVT	0.6	2000	2500	750
J1/4Z CVT*	0.6	2000	2500	670
CF1/4 CVT	0.6	2000	2500	720
CFS1/2 CVT	0.6	2000	2500	800
CFP1/4 CVT	0.6	2000	2500	720
CFPS1/2 CVT	0.6	2000	2500	800
RF25 CVT	0.6	2000	2500	750
BWR1 CVT	0.8	500	—	800

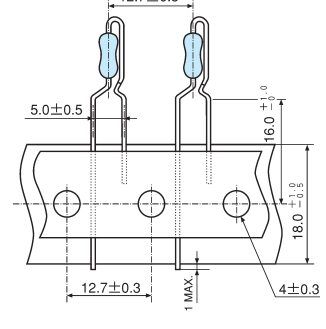
Radial Type Name	Radial Lead ϕ d	AMMO (pcs)	Reel (pcs)	Weight g/AMMO
MFS1/4 CVT	0.45	3000	3000	620
CFS1/4 CVT	0.45	3000	3000	720

Radial Type Name	Radial Lead ϕ d	AMMO (pcs)	Reel (pcs)	Weight g/AMMO
MFS1/2 CVTE	0.6	2000	2500	750
MF1/4 CVTE	0.6	2000	2500	750
RNS1/8 CVTE	0.6	2000	2500	750
MOS1/2 CVTE	0.6	2500	2500	930
SPR1/2 CVTE	0.6	2500	2500	930
CF1/4 CVTE	0.6	2500	2500	900
CFS1/2 CVTE	0.6	2500	2500	1000
RF25 CVTE	0.6	2000	2500	750

VTP



VTP

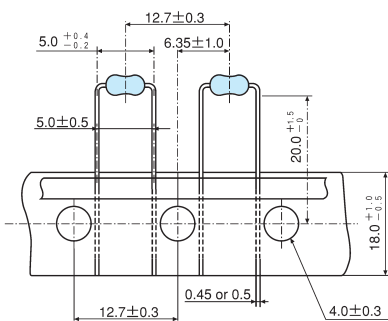


Radial Type Name	Radial Lead ϕ d	AMMO (pcs)	Reel (pcs)	Weight g/AMMO
MOS1/2 CVTP	0.6	2000	2500	740
MOS1 CVTP	0.6	1500	—	1110
MOS2 CVTP	0.65	1000	—	1080
SPR1/2 CVTP	0.6	2000	2500	740
SPR1 CVTP	0.6	1000	—	740
SPR2 CVTP	0.65	1000	—	1080
MFS1/2 CVTP	0.6	2000	2500	750

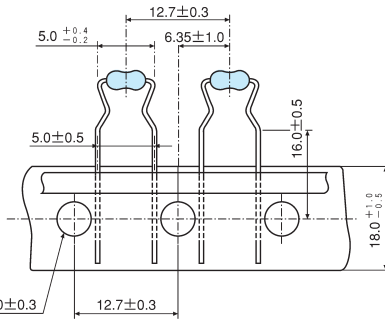
Radial Type Name	Radial Lead ϕ d	AMMO (pcs)	Reel (pcs)	Weight g/AMMO
MF1/4 CVTP	0.6	2000	2500	750
RNS1/8 CVTP	0.6	2000	2500	750
CF1/4 CVTP	0.6	2000	2500	740
CFS1/2 CVTP	0.6	2000	2500	800
CFP1/4 CVTP	0.6	2000	2500	740
CFPS1/2 CVTP	0.6	2000	2500	800
RF25 CVTP	0.6	2000	2500	750

Radial Type Name	Radial Lead ϕ d	AMMO (pcs)	Reel (pcs)	Weight g/AMMO
CW1/2 CVTP	0.6	2000	—	750
CW1 CVTP	0.8	1000	—	740
CW2 CVTP	0.8	1000	—	1080
J1/4Z CVTP	0.6	2000	2500	670

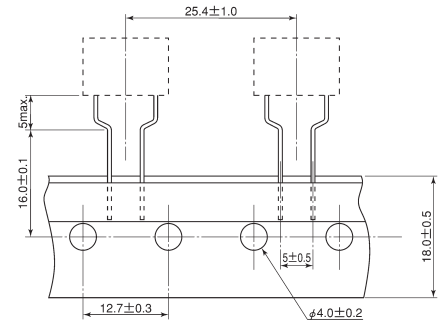
MT



MHT



FT



Radial Type Name	Radial Lead ϕ d	AMMO (pcs)	Reel (pcs)	Weight g/AMMO
MFS1/4 CMT	0.45	3000	—	620
CFS1/4 CMT	0.45	3000	3000	720
CFPS1/4 CMT	0.45	3000	3000	720
J1/6Z CMT	0.5	2000	—	450

Radial Type Name	Radial Lead ϕ d	AMMO (pcs)	Reel (pcs)	Weight g/AMMO
CFS1/4 CMHT	0.45	3000	—	720
CFPS1/4 CMHT	0.6	3000	—	720
RF16 CMHT	0.45	3000	—	240

Radial Type Name	Radial Lead ϕ d	AMMO (pcs)	Reel (pcs)	Weight g/AMMO
BPR26 CFT	0.6	500	—	790
BPR58 CFT	0.8	500	—	1940

Contact our sales representatives before you use our products for applications including automobiles, medical equipment and aerospace equipment. Malfunction or failure of the products in such applications may cause loss of human life or serious damage.

Specifications given herein may be changed at any time without prior notice. Please confirm technical specifications before you order/use.

EXAMPLE: **VTP** **A**
FORMING TAPING
please see above styles TA: taped in ammpack (box)
TR: taped on reel

□ T.C.R. symbol is to be entered in the □.
For MOSX and SPRX the radial taping types have the same shape as MOS and SPR.
* The insulated coating on the lead wire is not available.