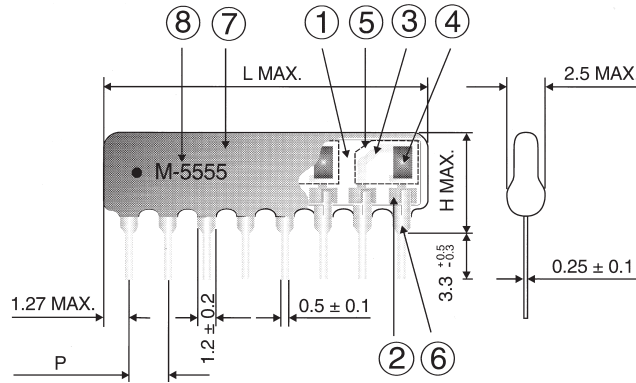
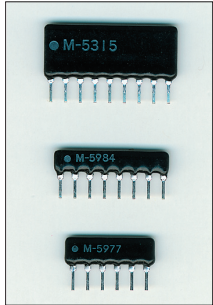


**THICK FILM  
R-NETWORKS  
CUSTOMIZED CIRCUITS  
M-SERIES**



**STRUCTURE**

- 1 Ceramic substrate
- 2 Pin-connection
- 3 Printed conductor (Ag, Pd)
- 4 Resistive layer
- 5 Glass layer
- 6 Solder plated copper term.
- 7 Epoxy powder overcoating
- 8 Marking

**IDENTIFICATION**

PRODUCT CODE	COATING COLOR	MARKING
M xxxx	Black	Alpha Numeric (Reference number)

Products with Pb-free terminations meet EU-RoHS requirements

**TYPE DESIGNATION (HOW TO ORDER)**

M -	5921	D
CUSTOM R-NET SYMBOL	REFERENCE NUMBER	TERMINATION SURFACE MATERIAL D: SnAgCu

**FEATURES**

- The below mentioned characteristics are representative examples and can be changed in accordance with the customers requirements
- Plenty of standard types between 3-PIN and 16-PIN package are available
- T.C.R. ± 100 ppm/K with 50 ppm/K TC-tracking is available
- Power application resistors (1W to 3W) for pulse circuits can be built in
- Leads are high temperature soldered, which facilitates board assembling
- Rated ambient temperature: +70°C
- Operating temperature range: -55°C ... +125°C

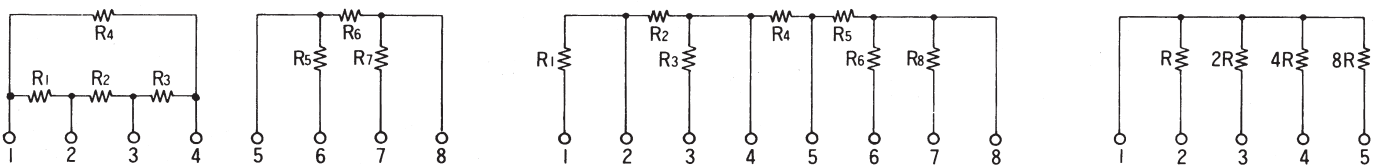
Contact us when you have control request for environmental hazardous material other than the substance specified by EU-RoHS

**DIMENSIONS and PACKAGE POWER RATING**

TYPE	L • W	NUMBER OF PINS														H Max. (mm)	P (mm)
		3	4	5	6	7	8	9	10	11	12	13	14	15	16		
RKL	L (mm)	8.20	10.16	12.70	15.24	17.78	20.32	22.86	25.40	27.94	30.48	-	-	-	-	5.08	2.54 ± 0.2
	W (mW)	220	375	500	625	750	875	1000	1050	1150	1250	-	-	-	-		
RKC (2.54 pitch)	L (mm)	8.2	10.8	13.2	15.8	18.3	20.9	23.4	25.9	28.5	31.0	33.6	36.1	38.7	41.3	6.5	2.54 ± 0.2
	W (mW)	250	375	500	625	750	875	1000	1050	1150	1250	1350	1450	1500	1550		
RKH	L (mm)	-	10.8	13.3	15.8	18.3	20.9	23.4	25.9	28.5	31.0	33.6	-	-	-	10.7	2.54 ± 0.2
	W (mW)	-	525	700	875	1050	1250	1400	1500	1600	1700	1800	-	-	-		
RKC (1.8 pitch)	L (mm)	-	10.2	10.8	12.7	15.5	15.8	17.8	20.4	20.9	23.5	25.4	28.5	-	-	6.5	1.8 ± 0.15
	W (mW)	-	300	400	500	580	650	720	760	820	850	880	900	-	-		
RKS (2.0 pitch)	L (mm)	-	10.1	12.7	12.7	15.3	17.8	20.3	22.8	22.8	25.4	-	-	-	-	5.08	2.0 ± 0.2
	W (mW)	-	195	260	325	390	455	520	585	650	715	-	-	-	-		

L= Max. Length Dimensions (mm)  
W= Max. Wattage per Package (mW)

**CIRCUIT CONSTRUCTIONS (EXAMPLES)**



**RATING**

TYPE	NUMBER OF PINS	T.C.R. (ppm/K)	POWER RATING PER ELEMENT	MAX. WORKING VOLTAGE	RESISTANCE RANGE E24	RESISTANCE TOLERANCE
M -	RKL	± 100 ± 150 ± 200	0.1 W 0.125 W 0.25 W 0.5 W 1 W	100 V 50 V 200 V 250 V 100 V	10 Ω ... 1 MΩ	D (± 0.5 %) F (± 1 %) G (± 2 %) J (± 5 %)
	RKC (1.8 pitch)					
	RKC (2.54 pitch)					
	RKH					
	RKS (2.0 pitch)					

Rated voltage = √ Power rating x resistance value or max. working voltage, whichever is lower.

Contact our sales representatives before you use our products for applications including automobiles, medical equipment and aerospace equipment. Malfunction or failure of the products in such applications may cause loss of human life or serious damage.

Specifications given herein may be changed at any time without prior notice. Please confirm technical specifications before you order/use.